

# Open vSwitch and Agilio OVS

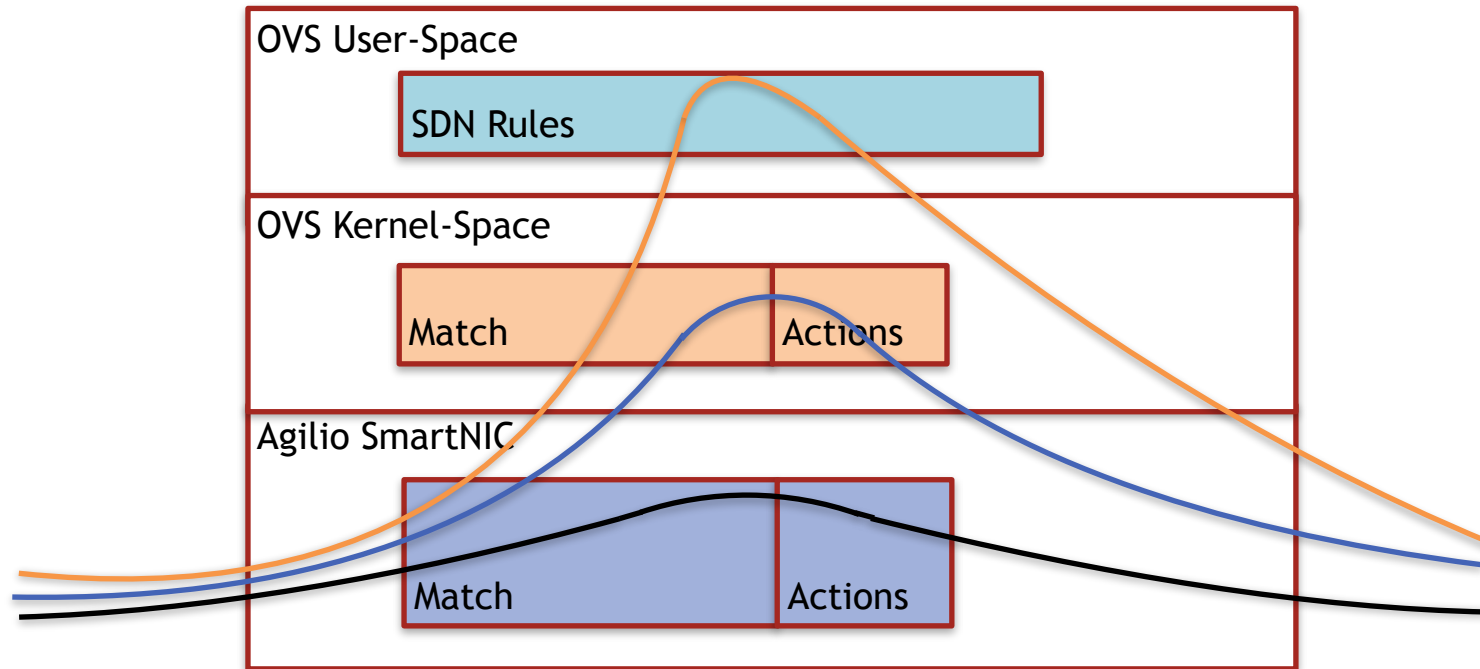
DxDD November 2016

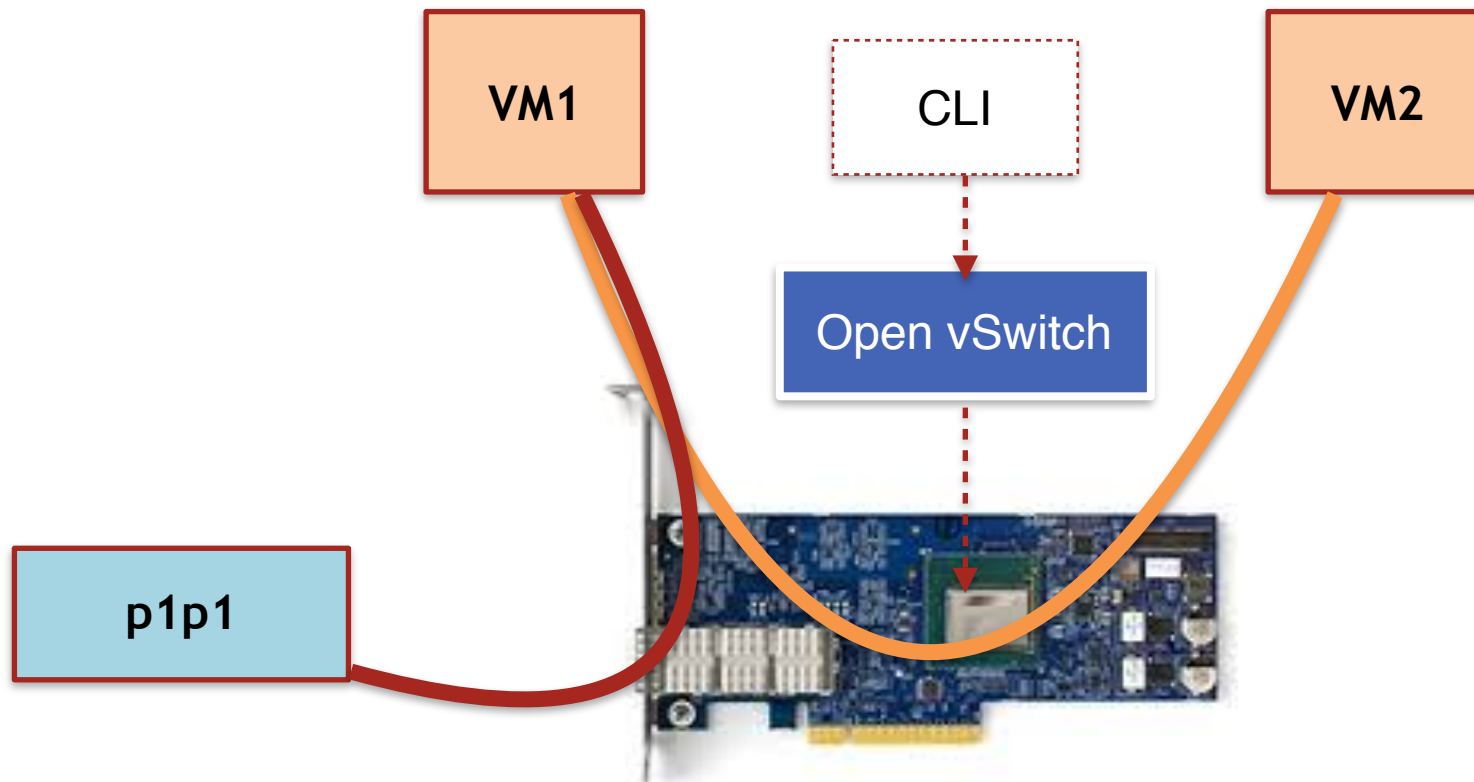
John Hurley

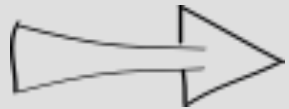
# What is Open vSwitch (OVS)?

- OpenSource, multilayer virtual switch
- Programmable switch - Software Defined Networking
- Can form the network back-end for cloud management software (OpenStack)
- **More than a switch**
  - IP routing, packet modification (NAT)
  - VLAN, MPLS, Tunnelling (VXLAN, NVGRE)
  - QoS, metering etc
  - Firewalling, Connection tracking
- Can run within hypervisor as a stand alone switch or form the control plane for hardware offload

## Datapath offload of OVS to Agilio SmartNIC







**START THE LAB**